



FIBER OPTIC EASYFIT CONNECTOR FSC, FST, E-2000™

EASYFIT connectors are based on an assembling system, which is made possible by a two-component glue. Each connector is supplied preloaded with resin and a separate dose of primer.

The stripped fiber is first dipped into the dose of primer and then inserted into the connector, a few pumping and rotating motions mix the glue and then the connector is left for 5 minutes to cure. The connector is then processed conventionally.

Features

- Fast and user-friendly
- No power
- No heat
- No syringes
- No special tools needed

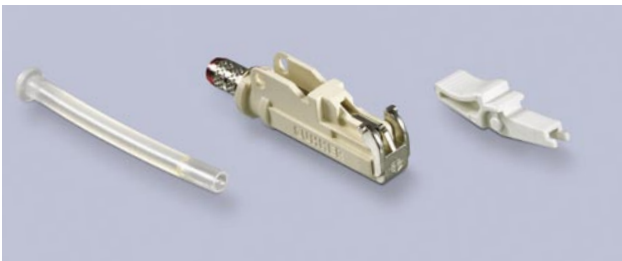
Dosing

Wetting the fiber by using a primer tube makes the assembly particularly easy. For bigger quantities, a package with 100 connectors including a bottle of primer is available.

Storing

6 months (-30°C to +25°C)

Available types



E-2000™ EASYFIT connector



FSC-CMAX EASYFIT connector



FST EASYFIT connector





ORDERING INFORMATION

Ordering information: FSC, FST, E-2000™

Connector type	Unit	For fiber type	Ferrule out of	Insertion loss [dB] (50% / 98%)	Type
FSC	1 connector/ 1 primer tube	G50/125 G62.5/125	Zirconia	<0.4 / <0.8	FSC-CMAX-B002
	100 connectors/ 1 primer bottle	G50/125 G62.5/125			
FSC Duplex	1 connector/ 2 primer tubes	G50/125 G62.5/125	Zirconia	<0.4 / <0.8	FSC-CMAX-B002-02
	100 connectors/ 2 primer bottles	G50/125 G62.5/125			
FST	1 connector/ 1 primer tube	G50/125 G62.5/125	Zirconia	<0.4 / <0.8	FST-LEAN-B005
	100 connectors/ 1 primer bottle	G50/125 G62.5/125			
E-2000™	1 connector/ 1 primer tube	G50/125 G62.5/125	Zirconia	<0.2 / <0.5	FLSH-2000-B006
	100 connectors/ 1 primer bottle	G50/125 G62.5/125			

Ordering information: Additional primer

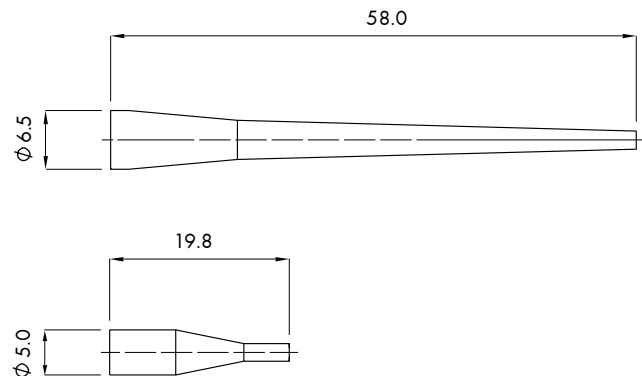
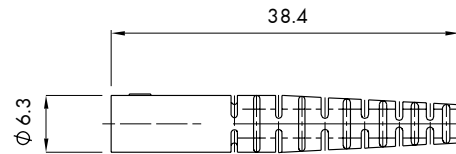
Unit	Type
1 bottle	for 100 connectors 9801.50.H

For technical data of the connectors please see the relevant datasheet on www.hubersuhner.com or in our general catalogue.





HUBER+SUHNER CRIMPSETS

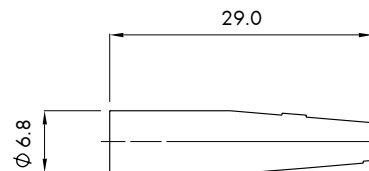


Crimpsets for FLSH, FCPC, FSC, FLSA, FSMA, FST (except FST security) connectors

Type	Sleeve	Boot	black	green	red	yellow	blue
Max. cable Ø							
<1.0 mm short	-	23003203	23017894	84005612	84005611	84005610	
<1.0 mm long	-	23221231	23227472	23229087	84005609	84005608	
1.6 - 1.9 mm	23308161	84005334	84005336	84005337	84005341	84005390	
2.0 - 2.2 mm	23231091	84005334	84005336	84005337	84005341	84005390	
2.3 - 2.6 mm	23231090	23023582	23023581	23023583	84005607	84005606	
2.7 - 2.9 mm	23231089	23014820	84005353	23022846	84005354	84005355	
3.0 - 3.2 mm	23233549	23014820	84005353	23022846	84005354	84005355	

Type	Sleeve	Boot	black	green
Max. cable Ø				
3.3 - 3.5 mm ¹⁾	23231087	23227238	23227244	

¹⁾ old style



HUBER+SUHNER is certified according to ISO 9001 and ISO 14001.

WAIVER
It is exclusively in written agreements that we provide our customers with warrants and representations as to the technical specifications and/or the fitness for any particular purpose. The facts and figures contained herein are carefully compiled to the best of our knowledge, but they are intended for general informational purposes only.

HUBER+SUHNER - Excellence in Connectivity Solutions



HUBER+SUHNER AG
Fiber Optics Division
CH-9100 Herisau
Phone +41 (0)71 353 41 11
Fax +41 (0)71 353 46 47
www.hubersuhner.com